

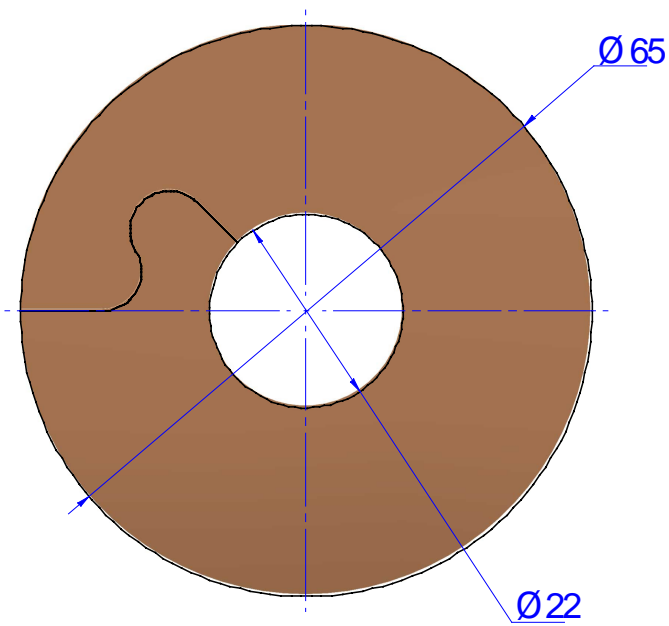
MPR+SYLOMER®



the acoustic washer anti vibration mounts have been designed for the insulation of gymnasium machinery. Mainly for impact insulation of weight stacks or weight plates.



DRAWINGS

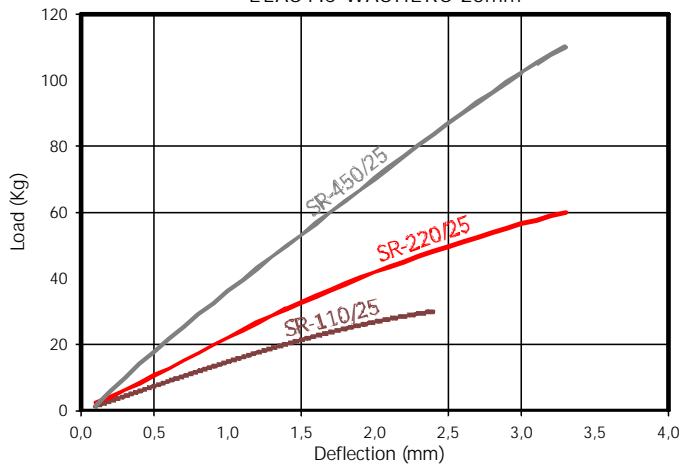


DIMENSIONS

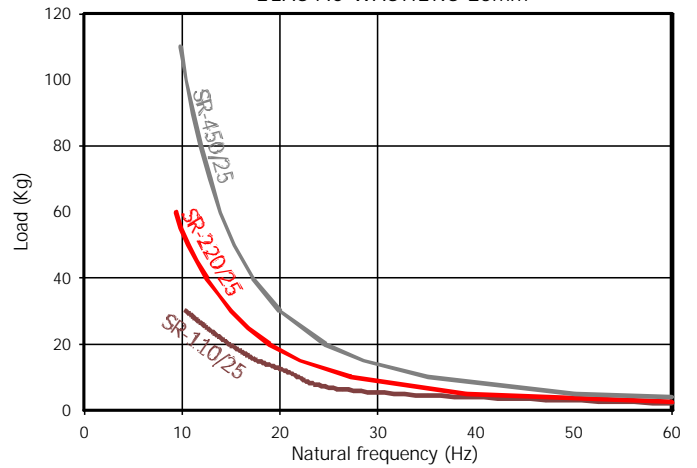
Type	Color	Load (kg)	THICKNESS (mm)	Code
Washer SR-110	Brown	30	12	707824
	Brown	30	25	707819
Washer SR-220	50	12	707825	
	RED	50	25	707820
Washer SR-450	GREY	100	12	707826
	GREY	100	25	707821

Elastical properties

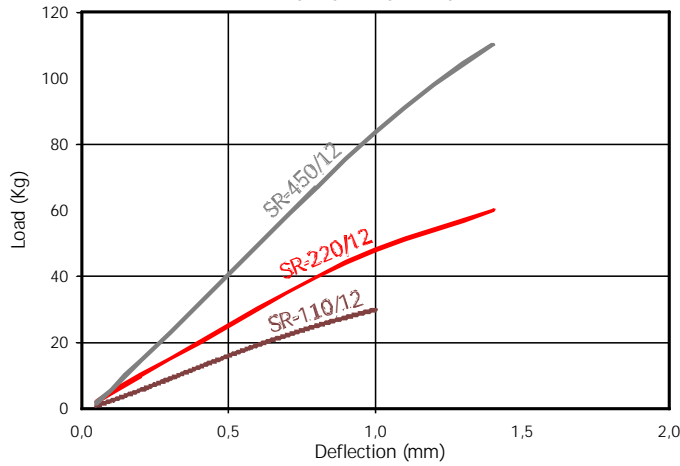
LOAD DEFLECTION CURVES
ELASTIC WASHERS 25mm



NATURAL FREQUENCY CURVES
ELASTIC WASHERS 25mm



LOAD DEFLECTION CURVES
ELASTIC WASHERS 12mm



NATURAL FREQUENCY CURVES
ELASTIC WASHERS 12mm

