

Anti vibration
mounts

AKUSTIK + SYLOMER® SOUND CLIP


AMC
MECANOCAUCHO
NOISE AND
VIBRATION
SOLUTIONS




Designed for the floating suspension of soundproofed ceilings and partitions installed with Omega type profiles. This type of supports, thanks to its low profile, lose very little space.


The Sylomer® avoids the transmission of vibrations and gives optimal acoustic results. They have a robust metal structure that is overload-proof "FAIL SAFE". Its application is recommended in applications where resistance to fire or shock is necessary.



 **AMC MECANOCAUCHO**
Industrialdea Zona A - Pab. 35.
Asteasu E-20159, Gipuzkoa
Spain

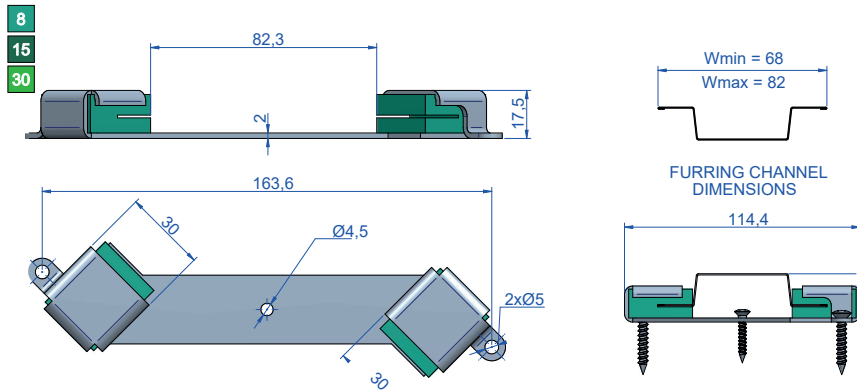
 Tel.: +34 943 69 61 02
Fax: +34 943 69 62 19

 sales@amcsa.es

 www.mecanocaucho.com
www.akustik.com

In order to adapt its products to the state of the art, AMC S.A. reserves the right to modify the conception and manufacture of the materials presented in this catalogue without prior notice.

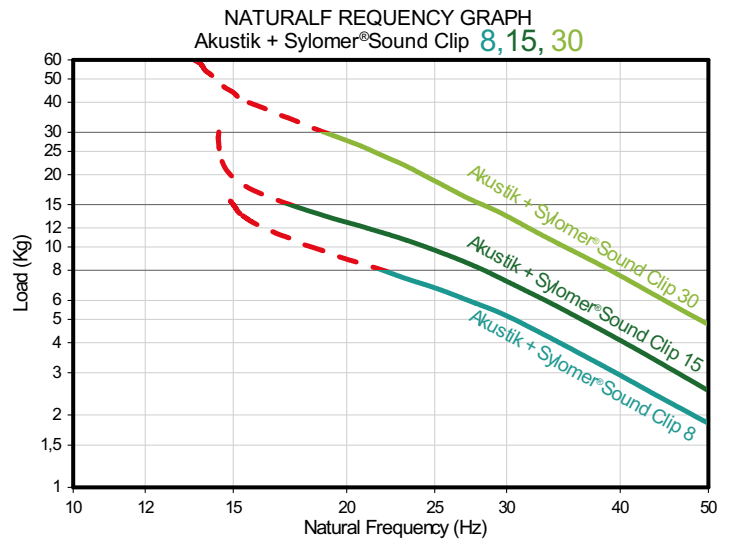
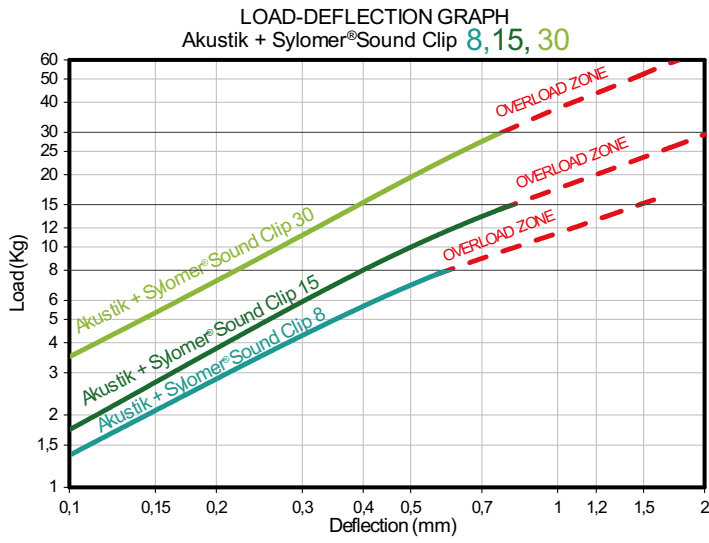
DRAWINGS



DIMENSIONS

Type	Weight (kg)	Max. Load (kg)	Code
Akustik + Sylomer® Sound Clip 8	0,112	8	23726
Akustik + Sylomer® Sound Clip 15	0,112	15	23753
Akustik + Sylomer® Sound Clip 30	0,112	30	23748

Elastical properties



Christian Berner Oy +358 9 2766 830 • infofi@christianberner.com • christianberner.fi