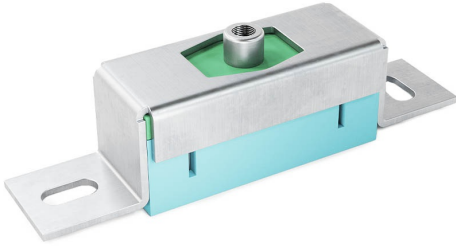


Anti vibration
mounts

AKUSTIK + SYLOMER WF

AMC
MECANOCAUCHO
NOISE AND
VIBRATION
SOLUTIONS



A range designed for the suspension of loudspeakers, electrical panels, air conditioning equipment, etc.


These mounts are also suitable for insulating standpipes, or any type of lightweight ductwork that requires insulation.

They have a robust metal structure that is "FAIL SAFE" overload proof.

TECHNICAL CHARACTERISTICS

Contact the technical department to select the suitable mount for your case.



 AMC MECANOCAUCHO
Industrialdea Zona A - Pab. 35.
Asteasu E-20159, Gipuzkoa
Spain

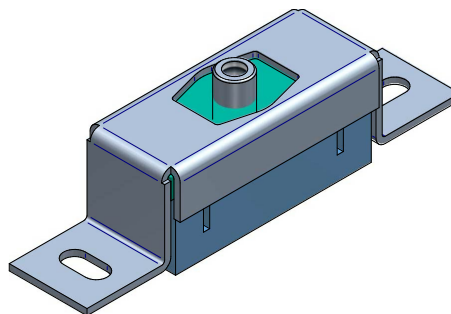
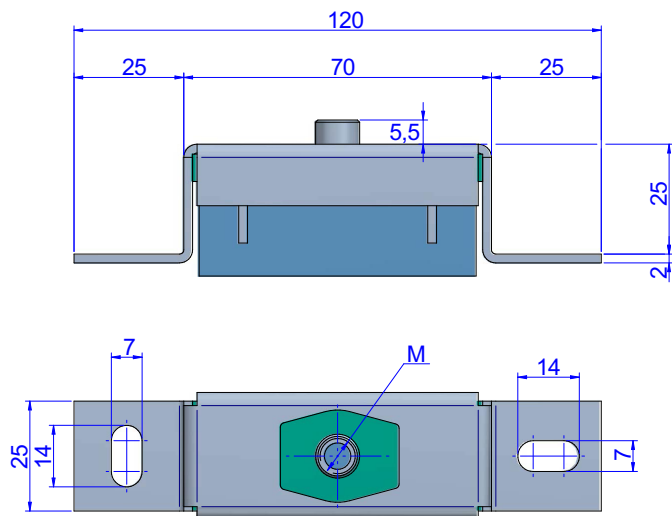
 Tel.: +34 943 69 61 02
Fax: +34 943 69 62 19

 sales@amcsa.es

 www.mecanocaucho.com
www.akustik.com

In order to adapt its products to the state of the art, AMC S.A. reserves the right to modify the conception and manufacture of the materials presented in this catalogue without prior notice.

DRAWINGS



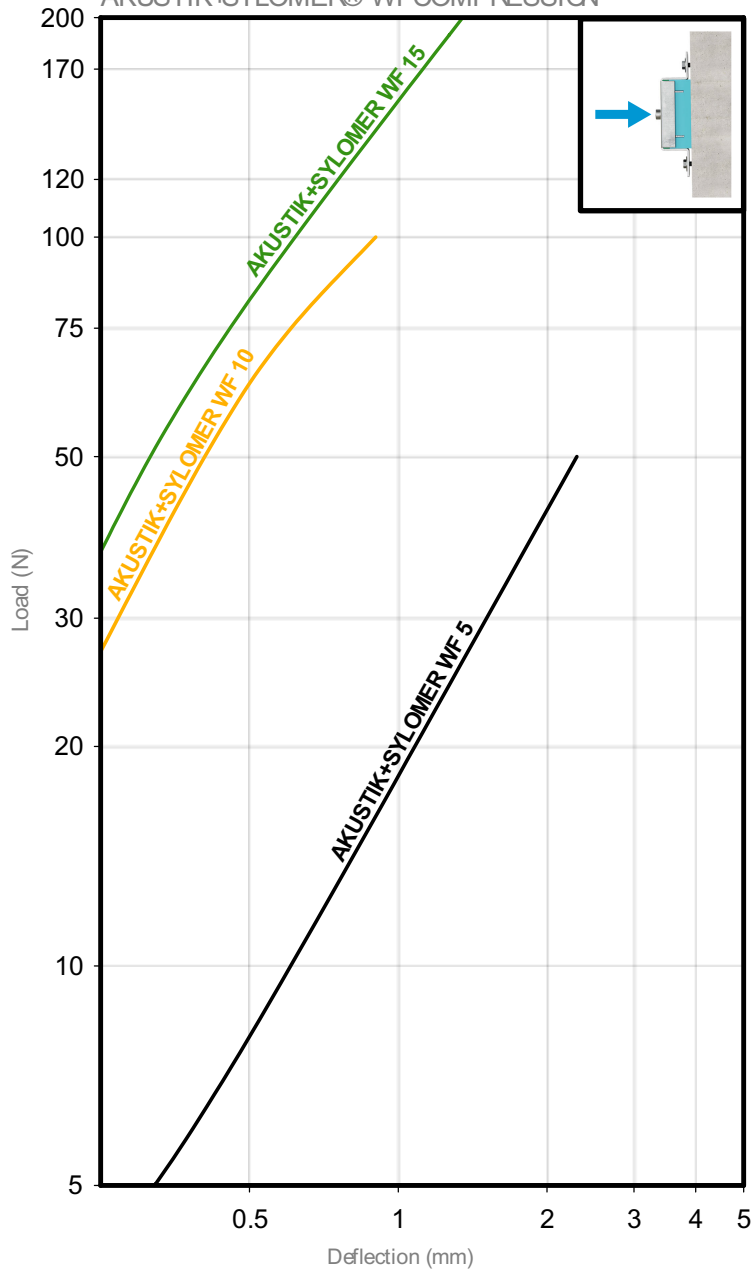
Contact the technical department to select the suitable mount for your case.

DIMENSIONS

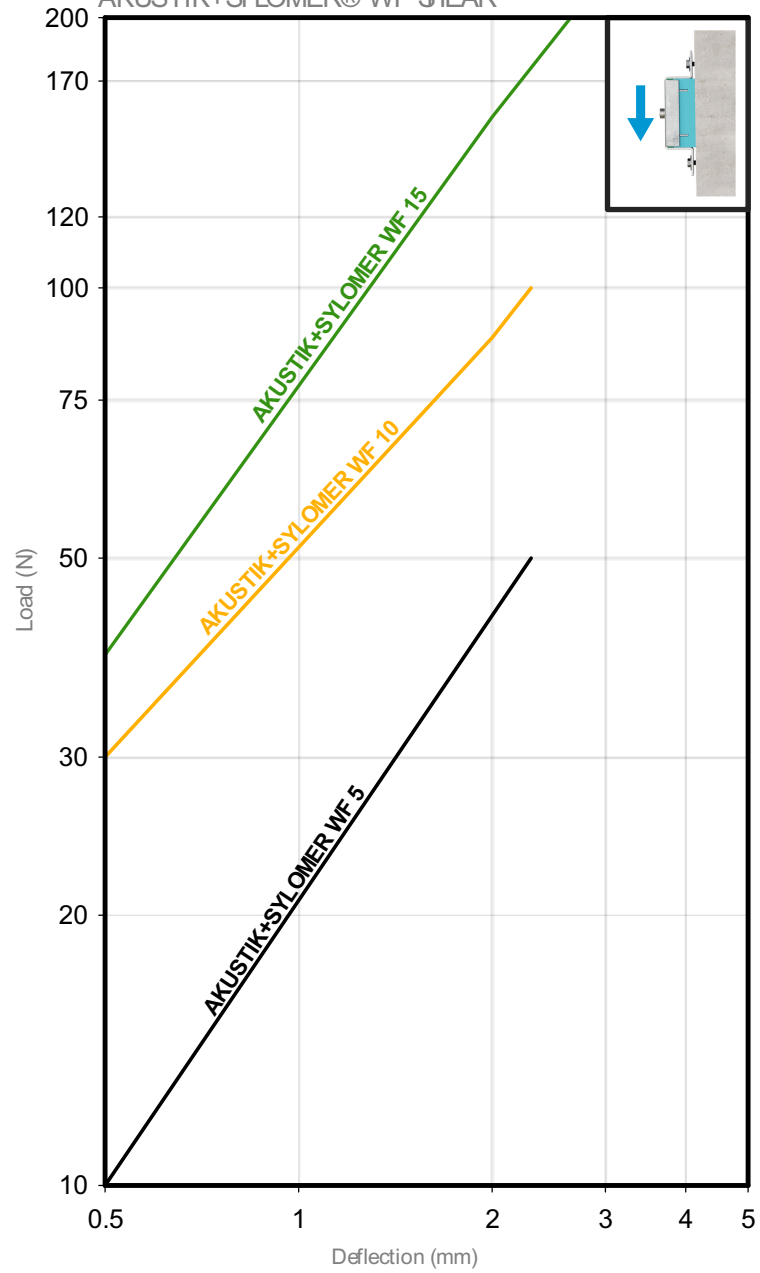
Type	Max. Load (kg)	M	Weight (gr)	Code
Akustik + Sylomer WF 5	2.5-5	M6	119	23805
		M8	119	23806
Akustik + Sylomer WF 10	5-10	M6	124	23807
		M8	124	23808
Akustik + Sylomer WF 15	10-15	M6	127	23809
		M8	127	23810

Elastical properties

LOAD DEFLECTION CURVES
AKUSTIK+SYLOMER® WFCOMPRESSION



LOAD DEFLECTION CURVES
AKUSTIK+SYLOMER® WFSHEAR



Christian Berner Oy +358 9 2766 830 • infofi@christianberner.com • christianberner.fi